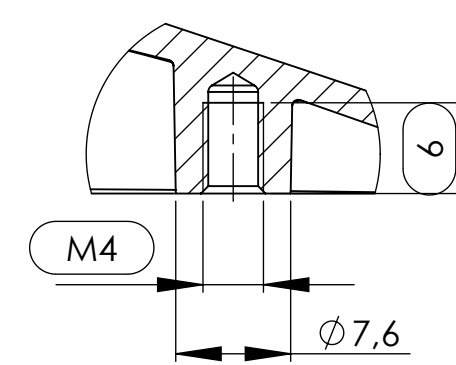
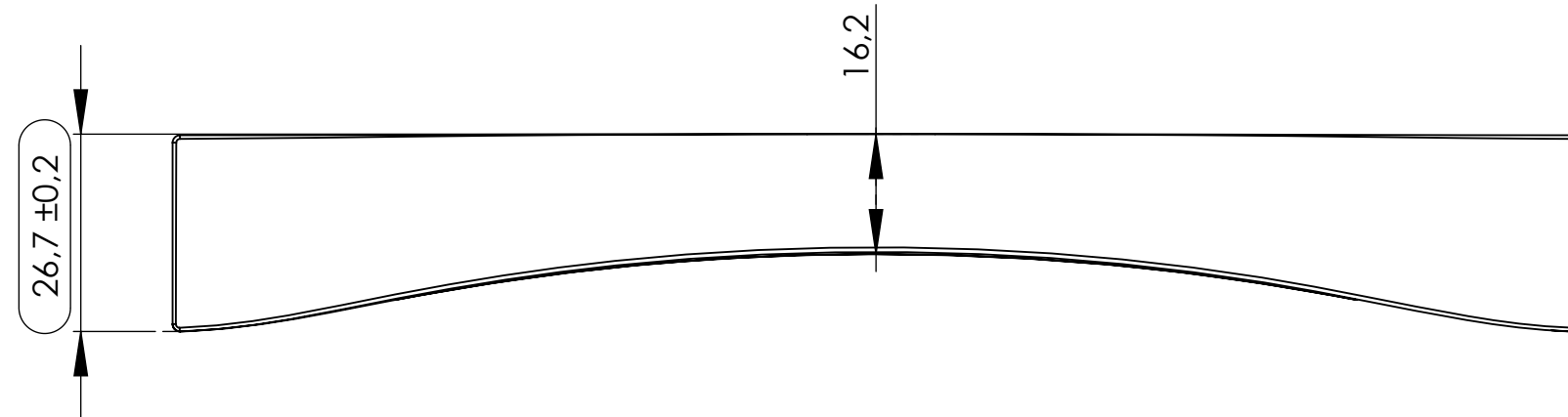


SECTION B-B
SCALE 2 : 1

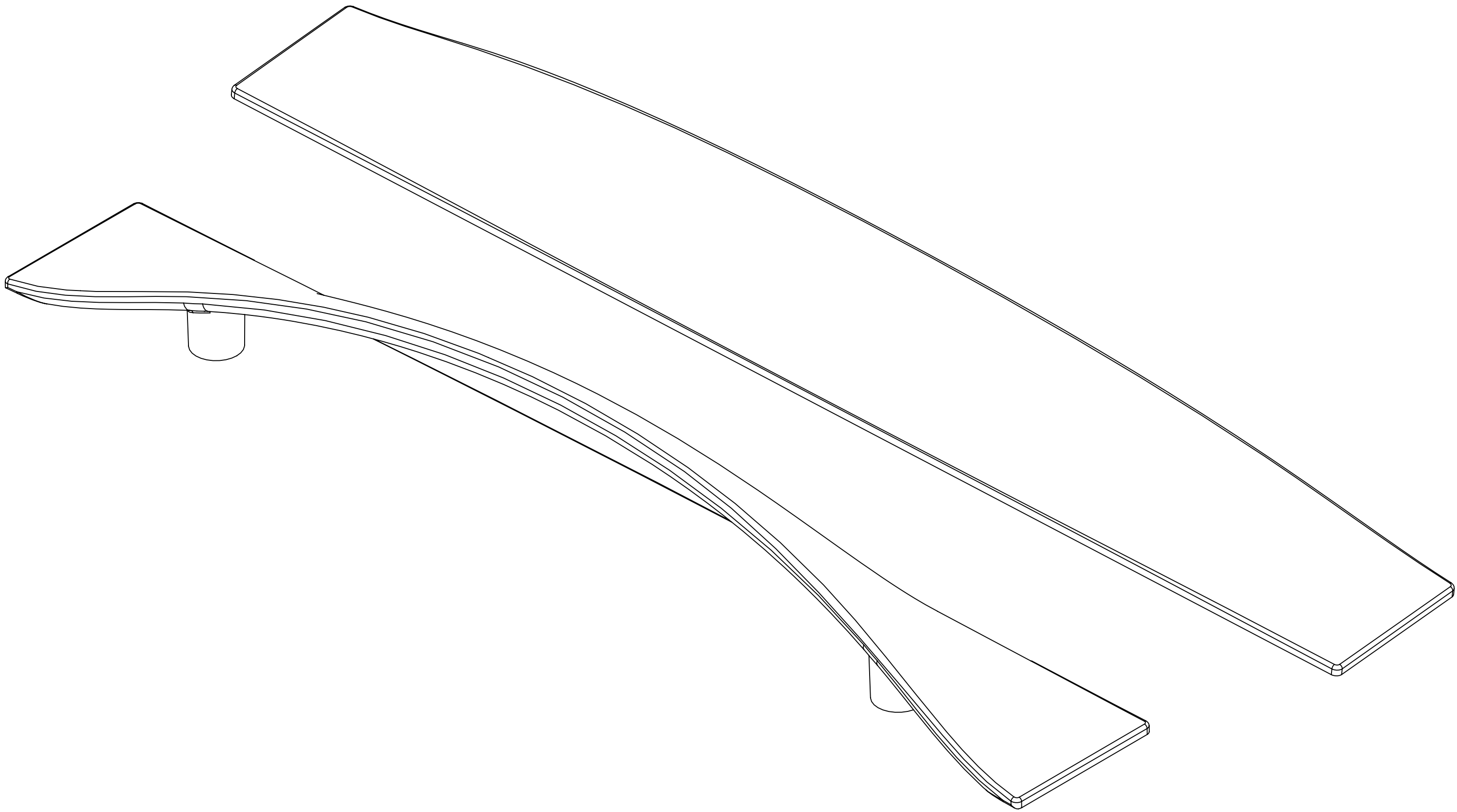


DETAIL C
SCALE 2 : 1



Part name: WRAP	Projection: 	Sheet format: A3	Tolerance unless otherwise specified DS/ISO 2768-1M Linear dimensions: 0-3 3-6 6-30 30-120 120-400 400-1000 1000-2000 $\pm 0,1$ $\pm 0,1$ $\pm 0,2$ $\pm 0,3$ $\pm 0,5$ $\pm 0,8$ $\pm 1,2$								
Customer:	Drawn by: ps date 9. januar 2014	Scale: 1:1									
Part no.: 533660128	Page 1 of 2	<table border="1"> <tr> <td>Angle</td> <td>Radius</td> <td></td> <td></td> </tr> <tr> <td>$\pm 0,5^\circ$</td> <td>$\pm 5\%$</td> <td></td> <td></td> </tr> </table>		Angle	Radius			$\pm 0,5^\circ$	$\pm 5\%$		
Angle	Radius										
$\pm 0,5^\circ$	$\pm 5\%$										
Material: Zinc	Weight: 65,84 grams										
		<small>Delta 2 DK-8382 Hinnerup Phone: +45 87 64 35 00 Fax: +45 87 64 35 01</small>									

Rev.:	Date:	Name:	Description:



Part name: WRAP	Projection: 	Sheet format: A3	Tolerance unless otherwise specified DS/ISO 2768-1M Linear dimensions:																				
Customer:	Drawn by: ps date 9. januar 2014	Scale: 2:1																					
Part no.: 533660128	Page 2 of 2	<table border="1"> <tr> <td>0-3</td> <td>3-6</td> <td>6 - 30</td> <td>30- 120</td> <td>120- 400</td> <td>400- 1000</td> <td>1000 - 2000</td> </tr> <tr> <td>± 0.1</td> <td>± 0.1</td> <td>± 0.2</td> <td>± 0.3</td> <td>± 0.5</td> <td>± 0.8</td> <td>± 1.2</td> </tr> </table>		0-3	3-6	6 - 30	30- 120	120- 400	400- 1000	1000 - 2000	± 0.1	± 0.1	± 0.2	± 0.3	± 0.5	± 0.8	± 1.2						
0-3	3-6	6 - 30	30- 120	120- 400	400- 1000	1000 - 2000																	
± 0.1	± 0.1	± 0.2	± 0.3	± 0.5	± 0.8	± 1.2																	
Material: Zinc	Weight: 65,84 grams	<table border="1"> <tr> <td>Angle</td> <td>Radius</td> <td></td> <td></td> </tr> <tr> <td>± 0.5°</td> <td>± 5%</td> <td></td> <td></td> </tr> </table>		Angle	Radius			± 0.5°	± 5%														
Angle	Radius																						
± 0.5°	± 5%																						
<table border="1"> <thead> <tr> <th>Rev.:</th> <th>Date:</th> <th>Name:</th> <th>Description:</th> </tr> </thead> <tbody> <tr><td> </td><td> </td><td> </td><td> </td></tr> <tr><td> </td><td> </td><td> </td><td> </td></tr> <tr><td> </td><td> </td><td> </td><td> </td></tr> <tr><td> </td><td> </td><td> </td><td> </td></tr> </tbody> </table>		Rev.:	Date:	Name:	Description:																		
Rev.:	Date:	Name:	Description:																				
<small>Delta 2 DK-8382 Hinnerup Phone: +45 87 64 35 00 Fax: +45 87 64 35 01</small>																							
<small>COPYRIGHT: THIS DRAWING MAY NOT BE COPIED OR REPRODUCED IN ANY WAY WITHOUT DIRECT PERMISSION FROM FURNIPART A/S</small>																							